



# Balcones Forge Dispatch

President's Corner

March 2017



Greetings!

I'll lay odds that Steephollow Forge-works in Bryan has never seen this many people at one time. The turnout for the Lee Brothers 7th annual combo demo was once again "better than last year". I know I say that every year, but it's never been truer. There was so much to see and do, one day just isn't enough. Everything was over the top: demos, vendors, music, food, auction, and even the beer seemed colder. It's great that so many folks come together and do so much to help put on this event every year. It's going to be a challenge for Alan and Jeff to top this one! Thanks a bunch!

Things are gearing up at Sycamore Creek Ranch for the Bluebonnet demo and workshops too. This year is going to be a hoot with Dorothy Steigler, Lyle Wynn, and Dana Flanders putting on the demo, and with a little help from the Balcones smiths. All will help to create a large mirrored wall hanging to be donated to the big auction on Saturday night. This piece was designed by our own Oldman Jim Elliott.

Dorothy and Lyle will be conducting workshops on Wednesday, Thursday, and Friday. Jewelry will be the topic and the first workshop is \$125.00 including material, and the second is \$95.00. To sign up and pay for a class or two contact Peter Garza at 909-994-3487, pgarza@gmail.com. Classes are limited to 10 students per day (that is 10 for Dorothy and 10 for Lyle) and they are filling up quick so don't delay.

## DEMO Date is April 1

*President's Message continued on page 3.*



### Officers

**President**  
**Jerry Achterberg**  
treefarm@swbell.net  
210/661-3293

**Vice-President**  
**Jerry Whitley**  
jerry.whitley@ymail.com  
210/288-3961

**Treasurer**  
**Peter Garza**  
pgarza@gmail.com

**Secretary**  
**Tim Tellander**  
ttellander@gtvc.com  
830/980-2903



### Editor

**Vince Herod**  
spotteddogforge@yahoo.com  
512/253-6045



## SECRETARY'S REPORT

I am not sure about other blacksmith tail gaiting events across the USA, but the one I went to at Lee Brothers Steep Hollow Forge Works in Bryan, Texas on February 18 is certainly a contender

for not only large, but in variety as well. A written description might end up as several volumes because everything from coal, hammers, anvils, forges & tongs were in abundance from antique to new, as well. I had made a visual survey and of course, had a few things to decide about, when Ric Dawdy approached me about identifying some 1084 knife making steel on Mr. String-Bean's display. I had already been by there because I bought a well used fire pot from him last year and with a little bit of repair has turned out to be part of my travel forge. Needless to say, I had overlooked 10 pieces of my favorite knife making steel that is no longer in production. I bought half of it and the other 3 guys waiting on String-Bean bought the rest of it.

Because these demos by such talented blacksmiths inherently inspire me to hurry home and get back into my shop and make something, I really enjoy attending these events. The inspiration of design and to actually see the process unfold with such quality and ease of execution is both delightful and humbling. The small patch knife I made the next day after the Lee Bros. event was inspired by Bill Moffett who made several items out of titanium, then forged a knife from a leaf spring (being 5160 high carbon). Bill was forging close to where I was sitting and Matt Marti was the co-demonstrator forging a hammer. I commented to

a fellow blacksmith next to me about having made a few knives out of hay rake tines also of 5160 and the guy pulled out a very nice one he had made several years ago. Then I remembered that 3 inch piece of tine on my workbench and the desire to get back home and get it finished completely occupied me the rest of the day. My hope is not to bore readers of this article, but to encourage new blacksmiths to pursue their inspiration and for experienced smiths to present us with something new.

Today's crowd was even bigger than last year and Alan said he has made plans for the free event to be even larger next. A special area is set aside in the spacious shop for blacksmith exhibits and the quality of finished pieces are awesome in detail as well as structure. The competition item was a belt buckle and the range of presentation far exceeded what I expected. The visions and final finished piece of the participating craftsmen (& women) was not only exceptional, but extraordinary evidenced by the continuous crowd of onlookers and their respectful comments. I was unable to get a photo of the presentation award buckles, but Sue Howeter was 1st, Lyle Wynn 2nd, and Robert Adulah was 3rd. Wonderful turnout of entries and congratulations to the winners.

Because I spent so much time visiting with Richard Delahoussa at the iron smelt and talking with various other blacksmiths, I did was not able to see the demo from the Austin Metal Authority duo (Woodward & Brinkman) and only observed a few minutes of the demo by Tim Shaffer & Evan Wilson. As secretary for Balcones Forge, I apologize for not being able to report on these demonstrations but want everyone to know that if you weren't there, you missed a great performance even if you only got to see half of it.

Tim Tellander  
Balcones Forge Secretary

The Balcones Forge Newsletter is written by the editor except as noted. Balcones Forge, it's officers, members, contributors, editors and writers specifically disclaim any responsibility, or liability for any damage, or injury as a result of the use of any information published in the newsletter or demonstrated at a meeting or conference. Every effort is made to insure the accuracy and safety of information provided but the use by our members and readers of any information published herein or provided at meetings is solely at the user's own risk.

*President's Message CONTINUED*

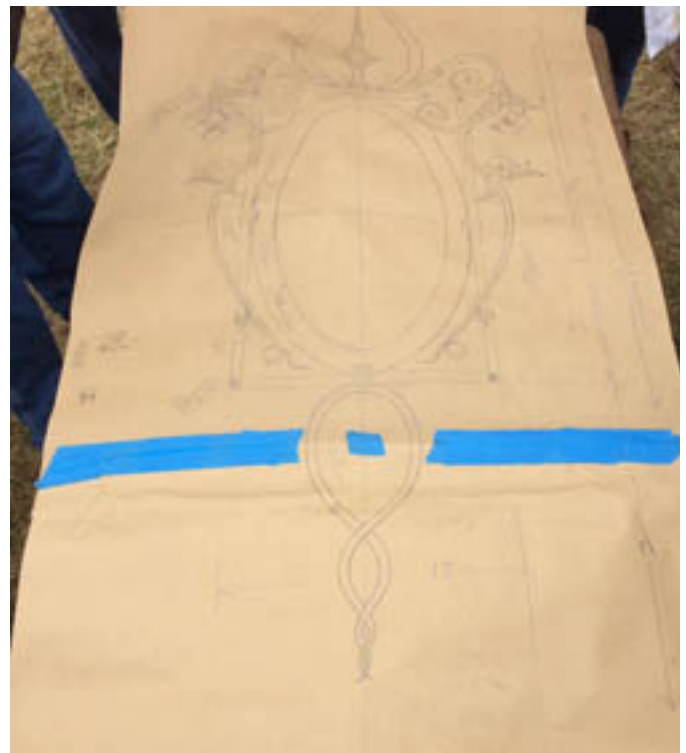
This is the event that keeps Balcones Forge going by members donating to the auction and also bidding on item at the auction. I have seen a few items bought and then donated back a couple of years later.

By the way, you can also contact Peter to sign up for the demo and to reserve a BBQ plate.

Please be considerate and respectful to the Crochets for once again opening up their home, shop and property to us for this event, and please adhere to the "Rules of the Ranch" which will appear later in this publication.

Hope to see ya'll at the ranch.

Jerry Achterberg  
Balcones Forge President



Above is the knife Tim speaks of in his meeting notes.

Above is the drawing of the frame that will be built and auctioned in less than two weeks.

Balcones Forge **Bluebonnet Demo** - April 1, 2017  
Workshops March 29-31, 2017  
Marble Falls, TX



Please join us for the  
17th annual

# **Balcones Forge Bluebonnet Demo**

## **April 1, 2017**

in Marble Falls, TX

featuring demonstrators

**Dorothy Stiegler**  
**Lyle Wynn**  
**Dana Flanders**

Forging workshops March 29-31:

**Jewelry: Forging and Techniques**  
using gas and coal forges

The demo and all workshops are at  
Sycamore Creek Ranch  
5828 East Ranch Road 1431  
Marble Falls, TX

REGISTER FOR ALL OR PART

Bring your family to the demo for free

As always, we appreciate the donation of artful items and tools for the live and silent auctions.

For more information and to register, please visit:

[www.BalconesForge.org](http://www.BalconesForge.org)

# Bring Us Something!

Think of the Bluebonnet Demo like a potluck dinner. It works a lot better when everybody brings something! If nobody brings anything, it doesn't work at all!

This annual blacksmithing demo is a great learning opportunity and a fun get together and party for our blacksmithing community. But, beyond that, this is where the **money** comes from to run all those projects that Balcones Forge is always doing for our community and to pay for things like scholarships and public exhibition expenses.

If you have been around awhile, you already know that **the Bluebonnet Demo loses money every year**. The tickets that everyone buys to get in do not even pay for the expense of putting on the show!

## THE MONEY COMES FROM THE AUCTION

**Yep. That's it. No Auction = No Money.**

The auction gets all it's money by selling things you members bring us to put in the auction. Think about that, and. please dig deep. Make something for us to sell. A tool, a hook, any sort of item that our blacksmiths will bid on. Look through your shop and bring some unused or duplicate tools or books. This year, we expect to auction off a complete milling machine and a thirty ton hydraulic press, but that won't be enough without more contributions from YOU. Please bring something when you come.

Thanks.

*John Crouchet*



# The Winner!

# REGISTRATION FORM



**Bluebonnet DEMO**  
**Saturday, April 1, 2017**

featuring demonstrators  
**Dorothy Stiegler**  
**Lyle Wynn**  
**Dana Flanders**

---

**\$90 REGISTRATION includes** Saturday's demo, lunch, dinner, and Balcones Forge 2017 annual membership (required for insurance purposes).

**Pay only \$70** if your Balcones Forge membership is current.

(Can't recall if your membership is current? Contact treasurer Peter Garza at pgarza@gmail.com)

Name \_\_\_\_\_

Address \_\_\_\_\_

City / State / ZIP \_\_\_\_\_

Phone \_\_\_\_\_

E-mail \_\_\_\_\_

Make checks payable to 'Balcones Forge.'

**PLEASE READ AND COMPLETE THE FOLLOWING RELEASE FORM: FORM MUST BE SIGNED AND DATED BY EACH MEMBER, GUEST AND PARENT OR GUARDIAN OF ANY MINOR IN ATTENDANCE.**

In consideration of the Balcones Forge Blacksmith Association providing demonstrators and workshops and making these events available and granting permission to enter the area of said event, I, individually and as parent or guardian of the minor child attending such event, hereby waive all claims for damage and/or loss to my person or property, or the person or property of such minor child, which may be caused by an act, or failure to act of the Balcones Forge Blacksmith Association, its officers, directors, agents or employees and the hosts and demonstrators. I understand that there are inherent dangers in blacksmithing and I assume all risk of all dangerous conditions in and about such demonstration and workshop and waive any and all specific notice of the existence of such conditions. By signing this waiver, I acknowledge that I have read and understand this waiver.

---

Signature

Date

[www.BalconesForge.org](http://www.BalconesForge.org)

# CALL ME ANYTIME

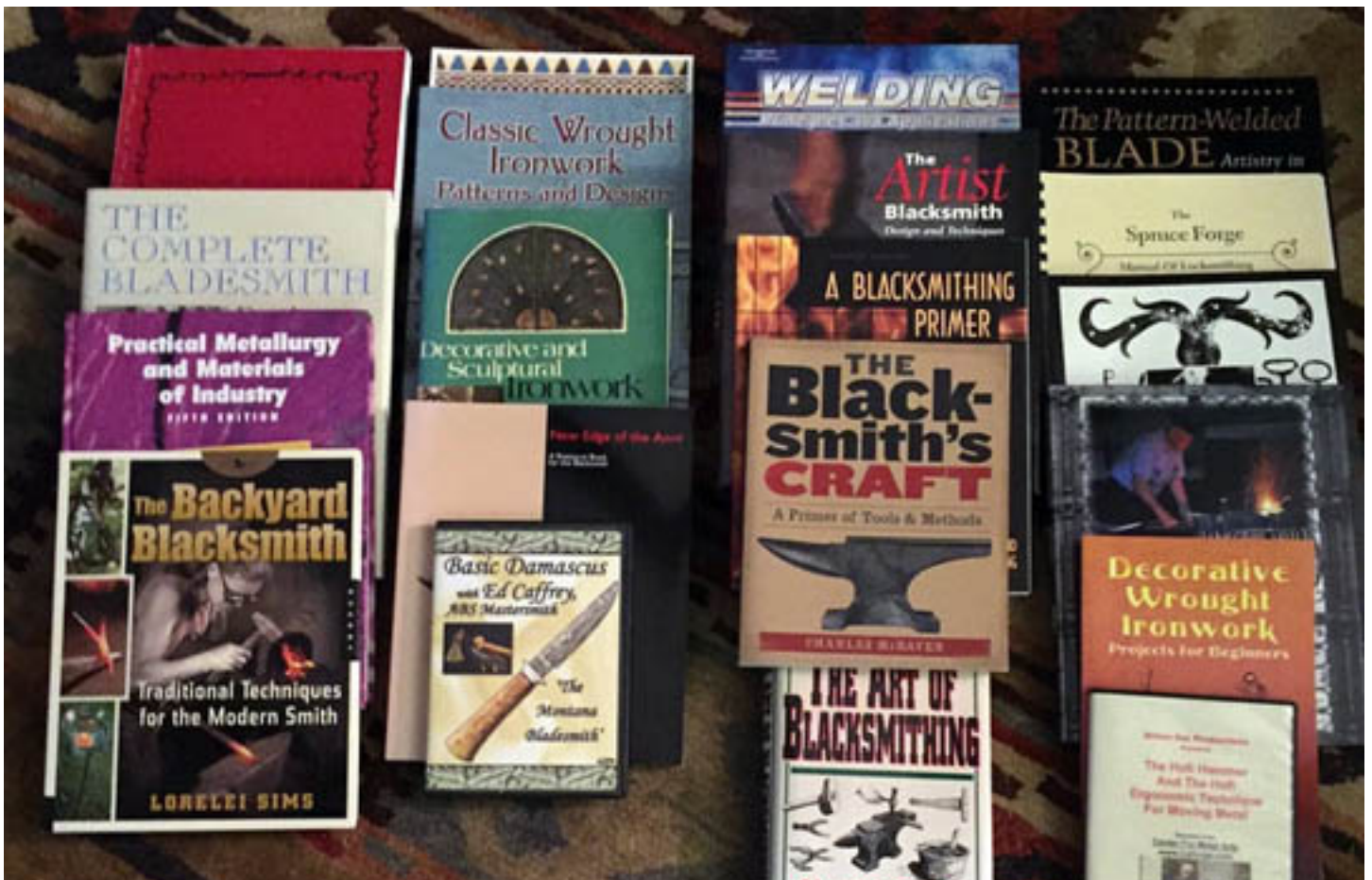
Don't know why it happens, but I really don't mind. I'm sure I'm not the only one to get calls and emails in our group, but it is interesting. I'm talking about folks letting me know they have items to donate to Balcones Forge. We have been really blessed and honored over the years to receive so many amazing tools, books, and materials. The latest donation is from our friends Terry and Janet Ross. It has been awhile since we have seen them, but rest assured they have been busy pursuing their art interests. Janet is creating beautiful repoussé artwork in copper, silver and sterling, and Terry is designing creations using the latest advanced technology. They are taking steps to de-clutter (gee, I need to do that) and have donated several blacksmith books. Most will go into our library, but some of the duplicates will be auctioned at the Bluebonnet Demo.

Thank you, Janet and Terry, for thinking of us.

Always by the phone,

Rudy Billings

PS: Back to the de-cluttering thing, don't you need to do that too? Yes, you! Just in time for our annual Bluebonnet auction. Look through your shop and library and bring that tool you haven't used in two years, or that book you have already mastered, and bring on April 1. Your home and shop will thank you.



# The Best of Marble Falls

Every small town has its special places and Marble Falls is no exception. However, this is a tourist town with **forty-six restaurants** and **lots of specialty shops**, so a little help might be in order! If you are headed to the Bluebonnet Demo at Sycamore Creek Ranch, you may want to know about some of our personal favorites:

## **Best place to take the kids:**

**Longhorn Caverns State Park.** This is a winner, with cave tours starting every couple of hours. No reservations needed, just arrive a half hour or so before the start of the tour. There are no entrance fees to the park itself and the cave tour goes on rain or shine. Tour prices are very reasonable and based on which tour you wish to take. History, geology, a Hill Country wonder! Extra points - the park buildings were built by the Civilian Conservation Corp and there are photographs and a brief history of this marvelous old organization inside!

Located six miles west of Park Road 4 turnoff, which is about four miles north of Marble Falls on Hwy. 281.

## **Best hamburgers:**

**Bill's Burgers, Wings & Things.** The BEST burgers in town. Maybe the best burgers anywhere! Located at 307 Main Street, Marble Falls, TX 78654. [www.billsburgerswingsandthings.com](http://www.billsburgerswingsandthings.com).

Located by the giant oak tree at Old Oak Square on old Main Street. Indoor and outdoor seating. We love it! If your diet conscience is already hurting you, just order the kid burger (with fries)! My wife says this place has the BEST onion rings!

## **Best chocolate:**

**Chocolatte.** Next door to Bill's Burgers at 807 3rd street in Old Oak Square.

You may want to stay out of this place if you are on a diet. Or, you can always just remind yourself that chocolate has healthy antioxidants! These folks make their own delicious pecan English toffee, in addition to a large selection of chocolate truffles and other goodies. While you are there, ask about the ghost of Old Oak Square!

## **Best Lunch:**



**Noon Spoon Cafe.** Our friend, Jennifer Cayse, is the owner of this fine establishment located at 610 Broadway. (Broadway is actually 8th Street)

Noon Spoon specializes in fresh, healthy food, with tasty sandwiches quesadillas, soups, salads, and daily lunch specials.

**Best breakfast:**

Okay, this depends on what you want. Lots of local folks still swear by the famous **Bluebonnet Cafe** located at 211 US Hwy 281, and for down home eggs, grits, pancakes, sausage, and especially **PIE**, it can't be beat.

On the other hand, you will be missing a fine Mexican breakfast if you don't try **SuperTaco** at 2200 US Hwy 281. This humble looking restaurant has great (and great big) breakfast tacos, huevos rancheros, huevos migas, and almost any kind of good old **Tex-Mex** you are craving. This is where I meet my friend, Scott Pyle, for lunch. We eat the beef enchilada platter. (The whole thing!)

**Best park to go chill out with the kids:**

**Johnson Park.** Located at 230 Avenue J, this park is in the pecan shaded area where Whitman Branch and Backbone Creek flow into Lake Marble Falls. It features 3 open air covered pavilions, picnic tables, 2 playscapes, restroom facilities, hiking trails, ball fields, horseshoe pits, and lots of big trees and ducks and geese. There is a great city skatepark next door if your sullen teenager is into skateboarding. Best of all, it is only a couple of blocks from downtown old Main Street. You can sit in the shade while the kids wear themselves out!

**Best Grocery Store:**

**H.E.B.** Located at 1503 Ranch Road 1431 West. Marble Falls is lucky to have a very large H.E.B. grocery store with friendly staff and a wide selection of Central Market foods. The parking is a bit crowded while they build our new, bigger H.E.B. next door, but at least shopping here will keep you out of Walmart!

**Best Blacksmithing Demo:**

Ha! Yeah, this one is a no brainer! Welcome to Sycamore Creek Ranch at 5828 East Ranch Road 1431, home of the seventeenth annual **Bluebonnet Demo!!**

See you there!

*John Crouchet*

# Seventeen Years Bringing America's Top Blacksmiths To the Heart of Texas!

Plan to be with us on April Fool's Day for our 17th annual Bluebonnet Demo in Marble Falls, Texas. This year's action packed demo will feature three teams of blacksmiths simultaneously forging the elements for one great collaborative piece to be completed by the end of the show!

## Our team leaders will be:

**Dorothy Steigler**, a nationally renowned artist in both iron and bronze, winner of ABANA's Alex Bealer Award, and always an inspiration at the forge!

**Dana Flanders**, the wizard of Ziwa Forge, a blacksmith with a different point of view! A prolific artist, Dana creates unique designs in iron using traditional tools and techniques for very non-traditional results!

**Lyle Wynn**, everybody's favorite redneck blacksmith! Famous for building (and swinging) big hammers, Lyle will teach the finer points of controlled forging!

The Bluebonnet Demo will be held once again in the heart of the Texas Hill Country at Sycamore Creek Ranch in Marble Falls, just sixty miles northwest of Austin.

## Blacksmithing Classes

Both Dorothy Steigler and Lyle Wynn will be teaching blacksmithing classes on **Wednesday**, March 29th, on **Thursday**, March 30th, and on **Friday**, March 31st.

**Attention: Class size is limited to ten students in each class.** Bring your favorite forging hammer, safety glasses, and ear plugs. Class slots will be given on a first come, first served basis. To sign up for classes, contact Jim Elliott at 512-630-1293. Please make your reservations early!

**There are discounts for students who wish to take more than one class.**

We hope to see you at the Demo!

*John Crouchet*



## Poster Contest

Win 2 Free Passes to the 2018  
Conference

Open to anyone 18 years of age or  
older

Any 2-D medium or Digital Design

June 1, 2017 Deadline to Enter

Complete details on ABANA Website

[www.abana.org](http://www.abana.org)



Joey McGee once again provided fine music to go along with lunch.

**ABANA 2018**

**June 27-30, 2018**

**Richmond, VA**

*Learning from the Past  
Forging to the Future*

**Poster Contest Coming Soon!**  
Watch your email for details



Can you strike from there? He could!

# Welcome to the Ranch!

By John Crouchet

As long-time Balcones Forgers, it is always a thrill for Carolyn and I to welcome folks to the Bluebonnet Demo, both our old friends of many years and newcomers that we are meeting for the first time! We are fortunate to live in a beautiful place and we are pleased to share it with you. We hope you will bring your family and friends when you come.

We will have camping spots available around the big pond, down the hill from the blacksmith shop, so bring your tent or your travel trailer if you wish. There will be a porta potty placed in the camping area for your convenience. There is no electricity in the camping area.

## Things to Know

This a working cattle ranch, not a public park. We have some dangerous things here. We have rattlesnakes, scorpions, cactus, and several large ponds and flowing creeks with no lifeguards or safety barriers. We also have cliffs with sheer dropoffs and single lane gravel roads that go for miles with lots of blind curves and hills.

**Never leave young children unattended on the ranch.**

**Always use your flashlight when walking the roads or trails after dark.**

**Do NOT bring your dog.**

**All open fires are prohibited. Camp stoves are fine.**

**PLEASE DRIVE SLOWLY. Our roads are all single lane roads and you may meet oncoming traffic at any moment. Baby calves and baby deer will NOT get out of the road when they see your car coming.**

**Don't drive across the pastures.**

**Please do not litter. This is our home. If you see cigarette butts, bottle caps, or other litter, please pick it up.**

**No smoking at our house or at my shop.**

**Some of our family members also live on the ranch. Respect their privacy and, please, wave and smile when you see them. They are putting up with our yearly Blacksmith Invasion!**

### **Don't Worry About These Things**

**Chickens:** We have free roaming chickens around the house and shop. They will not hurt you and they are fun to watch. Even the old rooster is not aggressive. They will not let you pet them, however.

**Cattle:** Do not fear the cattle. Even the bulls are shy and not aggressive. They will not hurt you or your children. The baby calves are lots of fun to watch. Once they are a few weeks old, they will often bounce around the pastures, trying out their new legs.

**Coyotes:** You will hear our coyotes howling sometimes in the evenings. They will not harm you and will not approach humans at all. You are very unlikely to see one.

### **Things to See**

There are lots of things to see here on the ranch.

**Birds:** If you are a birdwatcher, bring your binoculars. We have two or three Mexican eagles (Crested Caracara) living on the north end of the ranch. You are likely to see Great Blue Herons and white Great Egrets, especially near our north pond and flying down the creeks. We sometimes have Whistling Ducks, a rare bird in this area, nesting on the south end of the ranch. Around our house, you are very likely to see bluebirds, painted buntings, cardinals, purple martins, and red wing blackbirds. Look for cinnamon teal, mallards, and sometimes ospreys and kingfishers on the middle pond at the camping area. We have several resident roadrunners that you may encounter coming in on our long driveway. There are three flocks of wild turkeys on the ranch. You are very likely to see them strutting around the camping area in the early morning or late evening.

**Stars:** We are blessed with truly dark skies here in the Hill Country. You will have a fine view of the Milky Way and the Spring Constellations from almost anywhere on the ranch. If you bring binoculars or a telescope, you will have plenty of planets and stars to look at that may not be visible around bright city lights.

**Animals:** Watch for lots of baby deer in the springtime, along with rock squirrels, porcupines, and an occasional fox or bobcat.

**World Class Blacksmithing:** Don't forget the big show! Every year we try hard to do a better event than the previous ones. After seventeen years, that has set the bar pretty high! This year, we are pleased to have an all-star line up that will showcase Dana Flanders, Lyle Wynn, and my good friend, Dorothy Stiegler! All three of these blacksmiths will be forging and teaching at the same time in a (hopefully controlled) rush to the finish line!

We hope you will join us for the 2017 Bluebonnet Demo. Classes start Wednesday, March 29th.

**Please Note: These classes are an amazing opportunity to learn from world-class blacksmiths without the expense or difficulty of traveling across the country or paying huge lodging and instructional fees. Balcones Forge is doing a great thing here. Please support it!**

Camping will be available starting Tuesday, March 28th, if you wish to arrive early for your Wednesday class.

Classes will continue each day on Thursday, March 30 and Friday, March 31 and the big Demo cranks up at 9:30am on April Fool's Day!

For more information or better directions, call me at 830-798-3710.

John Crouchet

# 2017 Bluebonnet Demo WORKSHOP REGISTRATION FORM



**Jewelry - Forging & Techniques**  
**March 29 - 31, 2017**

featuring instructors  
**Dorothy Stiegler - gas forge & Lyle Wynn - coal forge**

---

**Workshop pricing, with reduced pricing for each additional class taken:**

- **1st class: \$125**, lunch included
- **2nd class: \$95**, lunch included
- **3rd class: \$75**, lunch included

### **Dorothy Stiegler - gas forge**

- Wednesday, March 29
- Thursday, March 30
- Friday, March 31

### **Lyle Wynn - coal forge**

- Wednesday, March 29
- Thursday, March 30
- Friday, March 31

Name \_\_\_\_\_

Address \_\_\_\_\_

City / State / ZIP \_\_\_\_\_

Phone \_\_\_\_\_ E-mail \_\_\_\_\_

PLEASE READ AND COMPLETE THE FOLLOWING RELEASE FORM: FORM MUST BE SIGNED AND DATED BY EACH MEMBER, GUEST AND PARENT OR GUARDIAN OF ANY MINOR IN ATTENDANCE.

In consideration of the Balcones Forge Blacksmith Association providing demonstrators and workshops and making these events available and granting permission to enter the area of said event, I, individually and as parent or guardian of the minor child attending such event, hereby waive all claims for damage and/or loss to my person or property, or the person or property of such minor child, which may be caused by an act, or failure to act of the Balcones Forge Blacksmith Association, its officers, directors, agents or employees and the hosts and demonstrators. I understand that there are inherent dangers in blacksmithing and I assume all risk of all dangerous conditions in and about such demonstration and workshop and waive any and all specific notice of the existence of such conditions. By signing this waiver, I acknowledge that I have read and understand this waiver.

Signature \_\_\_\_\_

Date \_\_\_\_\_

**Mail completed Registration Form along with check made payable to 'Balcones Forge' to:**

**Balcones Forge, Attn: Peter Garza**

**19179 Blanco Road, Suite 105-804, San Antonio, TX 78258**

**W W W . B A L C O N E S F O R G E . O R G**

## OVERWHELMING RESPONSE

I've always said that blacksmiths are the best relatives anyone could have, and Balcones Forge is no exception. As usual, when a request is made, our group always steps up. Back in January I put out a request for crosses for an upcoming retreat for some Austin homeless. I was amazed at how many members wanted to help. In the end, 25 crosses were made, and the retreat was a great success.

The first two members to step forward were Tom Lupton and Jerry Whitley. Tom volunteered to cut the blanks even though he had never made a Fredrick cross in his life. But in true Lupton-style, he was able to cut the 1/2" square x 6" long blanks in less than a minute each. Ask him how he did it next time you see him. The blanks were shipped to Jerry in Divine. There, Jerry put his talent and devotion into each cross and delivered the beautiful crosses in plenty of time.

Some of the others who volunteered to help were Caleb Nolan, Ian Lillegard, Gary Hilton and Emilio Fernandez. Thank you all!

The people who hosted the retreat were very amazed and totally thankful. As usual, Balcones Forge comes through.

Humbled,

Rudy Billings

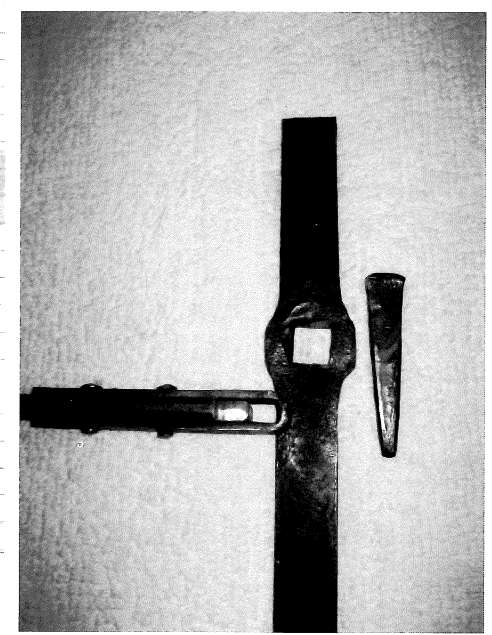
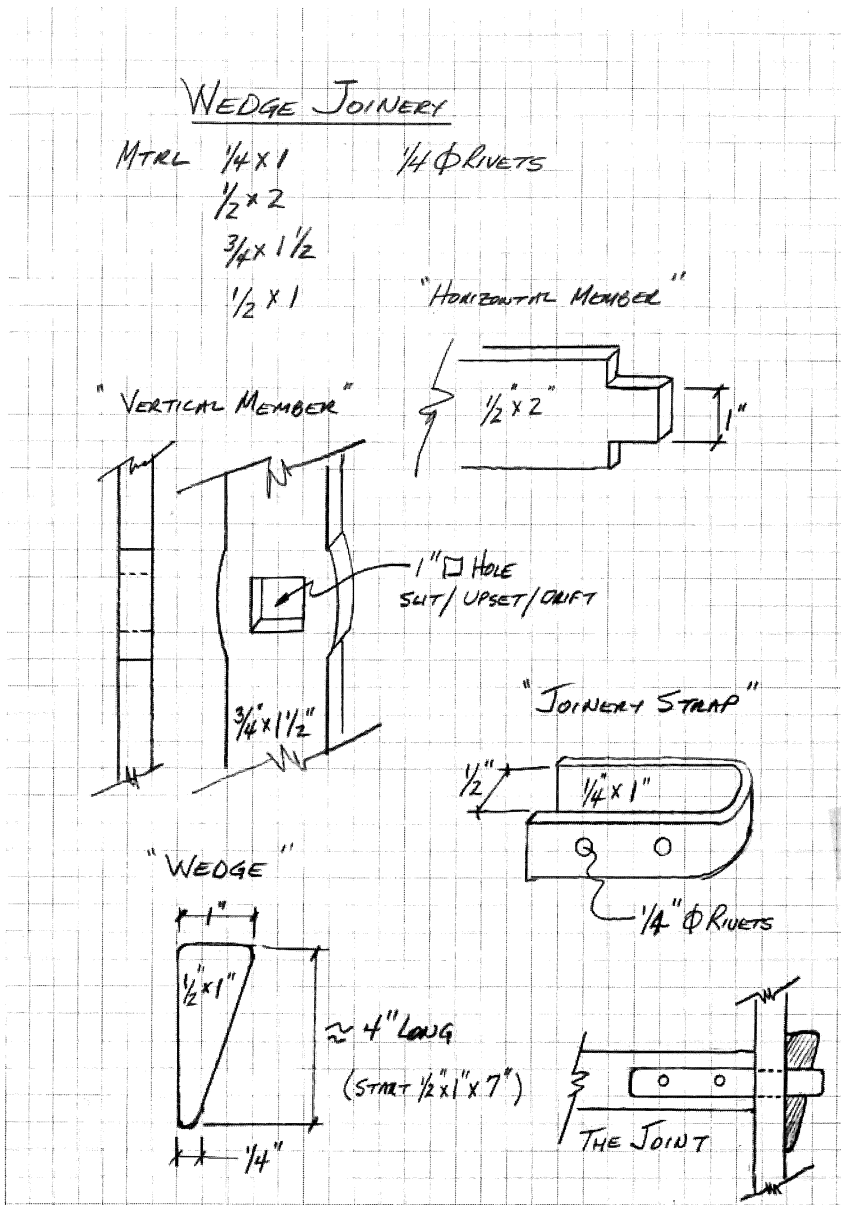


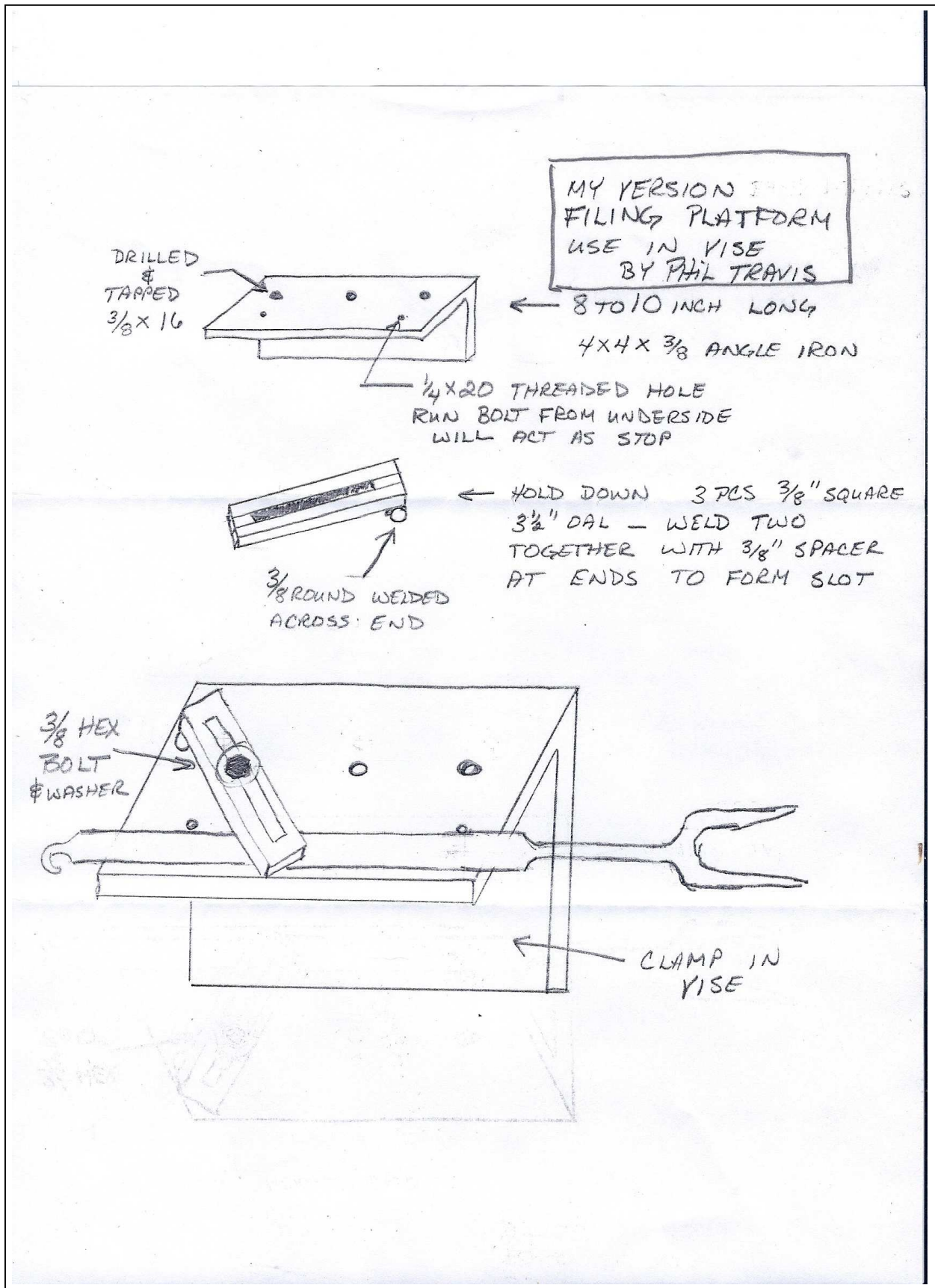


# THE WEDGE JOINT

Len Ledet

In January Caleb Cullman conducted a "Innovating with Joinery" class (see March 2010 issue THE ANVIL'S HORN – page7 ) at Sahuaro Ranch Park. One of the joints discussed and constructed was a WEDGE Joint. The following illustrates the components required and the material sizes we used during the exercise. The key to understanding the join – the vertical member's square slit and drifted hold must be big enough to allow the horizontal member and the wedge strap to fit thru it. Try it, it was a very good forging exercise.





## Driving Directions for the Bluebonnet Demo

The Bluebonnet Demo is at the usual location: John and Carolyn Crouchet's Sycamore Creek Ranch, outside Marble Falls. Lost? Need directions? Call John's cell phone at 830-798-3710.

From Austin, Take Hwy 71 and go north and west. You will pass through Bee Caves, over the Pedernales River, through Spicewood, over Double Horn Creek, and eventually come to the turnoff to the right to Marble Falls at Hwy 281. Depending on where you start from, it'll be about 60 miles. If you start from Vince's place in Bastrop, it'll be twice that!

From San Antonio, Take Hwy 281 North all the way to Marble Falls.

When you cross the Colorado River into Marble Falls, begin counting stoplights. The fifth stoplight you come to will be Ranch Road 1431. This is the biggest intersection in town. Turn right (east) onto Ranch Road 1431. (Check your odometer. You will go 5.6 more miles to our gate.) As you head out of Marble Falls on 1431, you will notice that you are on a winding, two-lane blacktop road with no shoulders. At the top of a long, winding hill, the road changes and suddenly has shoulders. Go fifty yards further and turn left into our driveway between the red reflectors. (Look for the "Anvil" signs.)

At our gate, you will see a large oak tree to the left and a small sign to the right that says, "Sycamore Creek Ranch, 5828 East Ranch Road 1431". If the gate is open, just drive on in. If the gate is closed, then there are cattle in this pasture, so please close the gate behind yourself once you enter.

Continue on down our driveway for one mile. You will cross four (count 'em...FOUR) cattleguards before you see the big metal shop on your left.

Welcome to the Ranch!!!

Okay, for you folks who want to come in from somewhere up north: Just take Hwy 29 from Georgetown (or wherever you get on it) and head to Burnet. At Burnet, take Hwy 281 south to Marble Falls. In the middle of Marble, turn left (east) onto Ranch Road 1431 and head for our gate.

See you there!



# ABANA

Name: \_\_\_\_\_

Address: \_\_\_\_\_

City: \_\_\_\_\_

State: \_\_\_\_\_ Zip/PC: \_\_\_\_\_

Country: \_\_\_\_\_

Type of Membership

Regular .....\$55     Overseas .....\$65

Student .....\$45     Contributing.....\$100

Senior (65+)...\$50     Library .....\$45

\$5 discount for two year memberships and renewals

ABANA Chapter Affiliation: \_\_\_\_\_

Application may also be made at the ABANA web site:

[www.abana.org](http://www.abana.org)

E-mail: \_\_\_\_\_

www url: \_\_\_\_\_

Phone: \_\_\_\_\_

Fax: \_\_\_\_\_

Credit Card Information

Visa     Mastercard

Expiration Date: \_\_\_\_\_

Card# \_\_\_\_\_

Submit check, money order (US banks only), or by credit card:

*Artist-Blacksmith's Association of North America, Inc.*  
259 Muddy Fork Road  
Jonesborough, Tennessee 37659

Phone: [423-913-1022](tel:423-913-1022), Fax: [423-913-1023](tel:423-913-1023)  
[centraloffice@abana.org](mailto:centraloffice@abana.org)

M E M B E R S H I P    A P P L I C A T I O N

Vincent Herod  
Spotted Dog Forge  
166 Granite Road  
Paige, TX 78659-4922

